



# CITY OF PALM SPRINGS

## DEPARTMENT OF PLANNING SERVICES

### MEMORANDUM

**Date:** December 7, 2021

**To:** Historic Site Preservation Board

**From:** Ken Lyon, RA, Principal Planner, Historic Preservation Officer *Kenly*

**Subject:** **Case HSPB 52 – City National Bank (aka Bank of America) 588 S. Palm Canyon Dr**  
New screen at ATM.

The City has received a Certificate of Appropriateness application for alterations to the City National Bank, a Class 1 historic site. The scope of work constitutes a minor alteration as defined in PSMC 8.05.110, as such it will be processed at HPO level, however I am providing details on a replacement ATM screen for the board's information.

The scope of the current C of A involves repainting the building to its original color palette, ADA upgrades and various landscape improvements. The project includes replacement of a non-original privacy screen that was installed several years ago at the ATM machines on the north side of the building. That current screen was intended to relate to the curved wall in which the ATM's are located, however it was not aesthetically successful because the white painted screen related more to the overpowering white steel railings than it did to the bank itself.

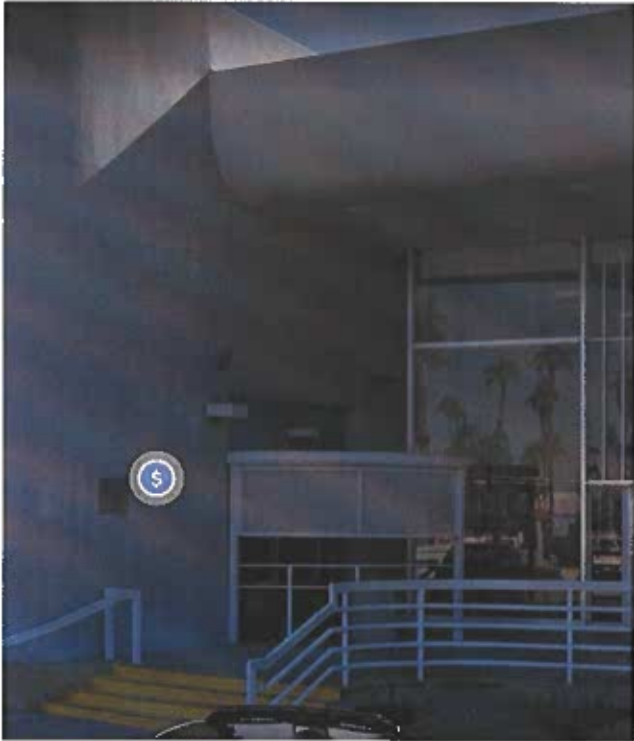
The direction I have encouraged the applicant to take with the new screen is to develop a design that is inspired by the material and finish of the vertical fins found in the original anodized aluminum storefront system along the north elevation of the bank which can be seen in the photo below.

**BELOW: THE NORTH ELEVATION OF THE BANK SHOWING THE ALUMINUM FINNS ABOVE THE ENTRY DOORS**

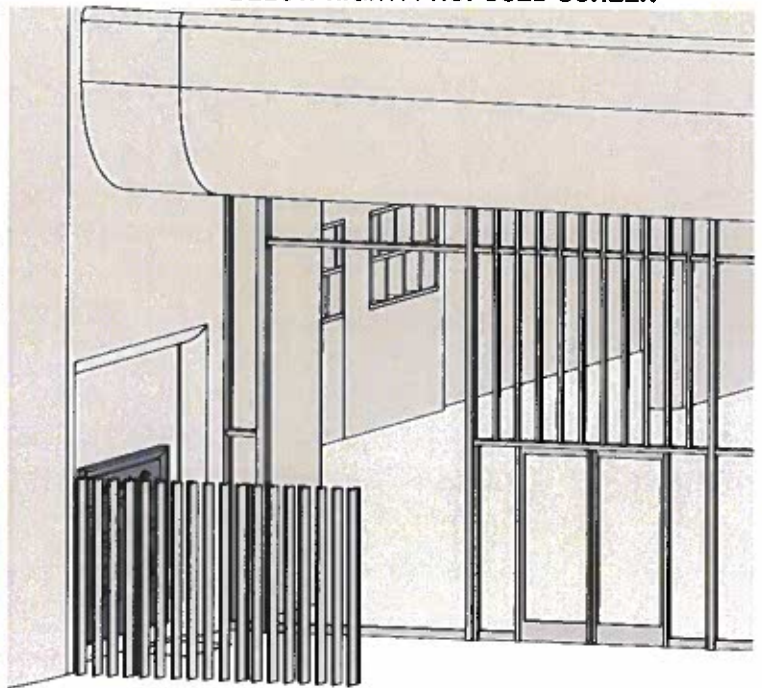


Below is a comparison of the existing and proposed screens.

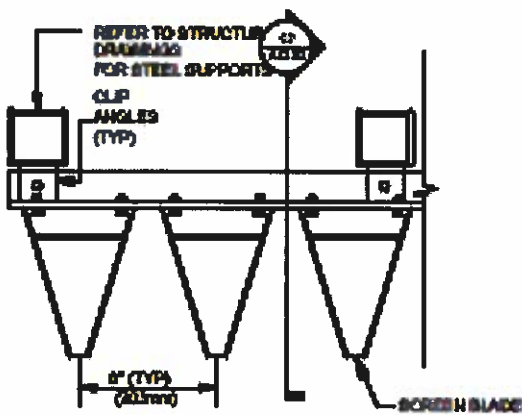
BELOW LEFT: CURRENT ATM SCREEN



BELOW RIGHT: PROPOSED SCREEN

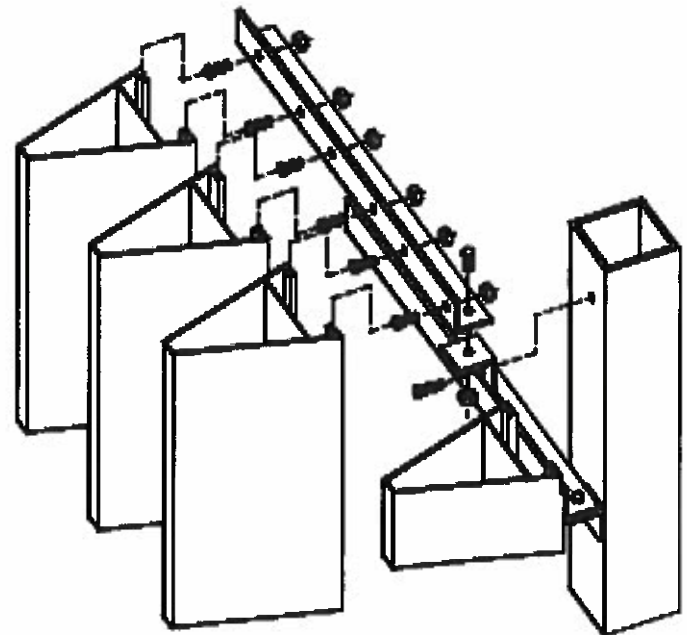


The images below are somewhat technical in nature but are included to illustrate the shape of the fins.



ATM SCREEN ENLARGED PLAN  
SMB 3-12

01



ATM SCREEN AXON  
SMB 3-12

03

Below are various 3-d images that better illustrate the proposed screen.



Staff believes this proposed new screen, in a color / finish consistent with the clear finish anodized aluminum of the existing north storefront at the bank is an appropriate solution at the ATM.